

# HIGH PRESSURE TUBING SET FOR MCS200 WORKBENCH SYSTEMS

## GENERAL

The high pressure tubing set contains the following items:

- A Junction Block to connect the hoses together.
- Three pressure hoses with 1215 Special female connectors on each end.
- An adapter, **1215 Special male to 1/4" NPT male**, to connect a pressure hose to the instrument to be calibrated.

© 2018, BEAMEX OY AB  
Ristisuonraitti 10, FIN-68600 Pietarsaari, Finland  
Phone +358 10 550 5000  
Fax +358 10 550 5404  
E-mail [sales@beamex.com](mailto:sales@beamex.com)  
[service@beamex.com](mailto:service@beamex.com)  
Internet <http://www.beamex.com>

8805100 / PGXHTHiEng / Oct-2018

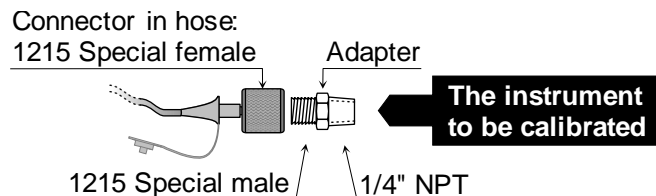
## TAKING THE HOSE SET INTO USE

Place the Junction Block to MCS200's perforated plate as shown in the adjacent picture. Connect all hoses to the Junction Block and continue as follows:

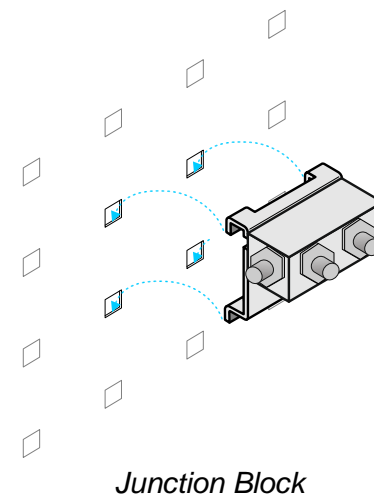
- One hose to a pressure source,
- another to a pressure measurement module and
- the third to the instrument to be calibrated.

The connectors of the Junction Block are equal, so you may freely choose which connector is used for which device.

The adapter is meant for connecting one of the hoses to the instrument to be calibrated. See also note to the right.



*Hose connector and adapter.*

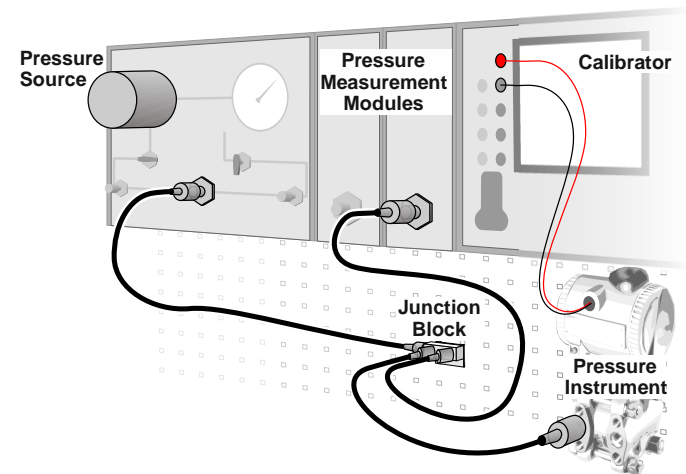


Note.

When necessary, the adapter may be replaced with another suitable adapter or an additional adapter may have to be used.

## GUIDELINES FOR USING THE PRESSURE TUBING SET

1. Use only clean air or other gas not harmful to the hose materials.
2. Connect the measuring system using the picture in this leaflet as a guideline.
3. If the connector of the pressure source is not compatible with the hose's 1215 Special female connector, use a suitable adapter.
4. Remember that the 1215 Special male to 1/4" NPT male adapter is part of the pressure tubing set. Do not leave it fixed into the instrument.
5. Release the pressure before opening any connections.



Example of Pressure Tubing Set in use.

## SPECIFICATIONS

### Maximum operating pressure:

0°C (+32°F) ... 50°C (+122°F)    400 bar    40 MPa    5800 psi

### Smallest bending radius of pressure hose:

• below -20°C (-4°F)    30 mm    1.18"

### Pressure media:

Clean, inert, non-toxic, non-corrosive gases or liquids.

### Wetted Parts:

Connectors:    AISI 316, AISI 430F (or compatible), Viton®

Hose:    Polyamide.

VITON® is a registered trademark of DuPont Dow elastomers L.L.C.

### Warnings!

Only personnel with good experience and knowledge of high pressure media are allowed to work with high pressure tools.

Do not exceed the maximum pressure. See Specifications.

Do not use outside the recommended temperature range:  
-10 to +50°C / 14°F to 122°F

Do not use the Junction Block for anything else than what it is meant for.