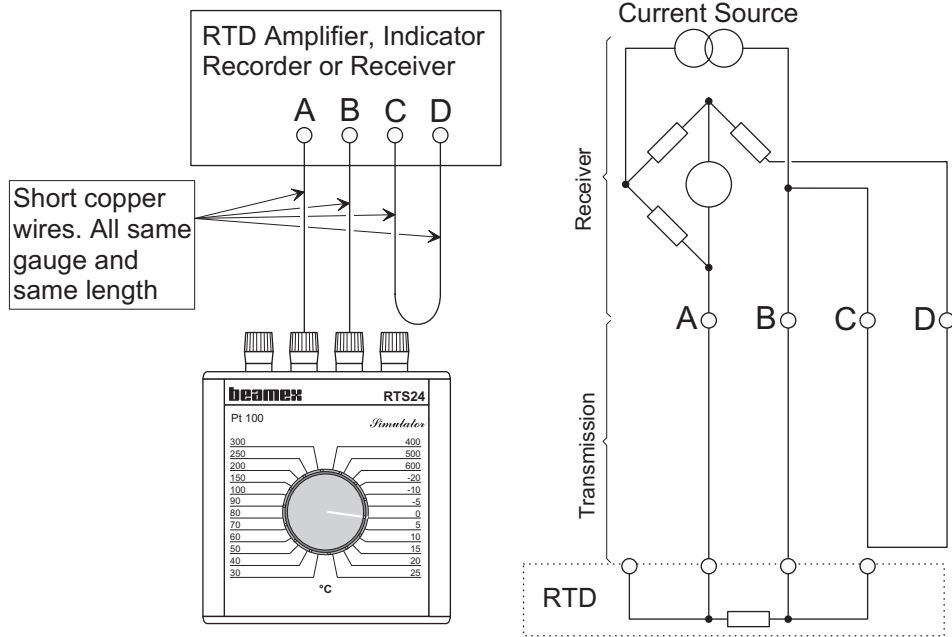
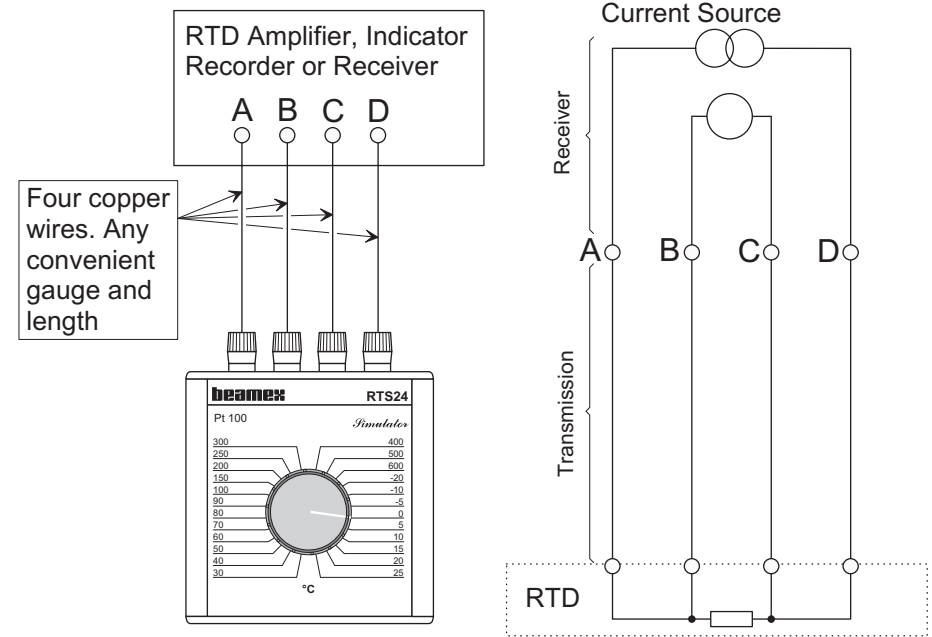


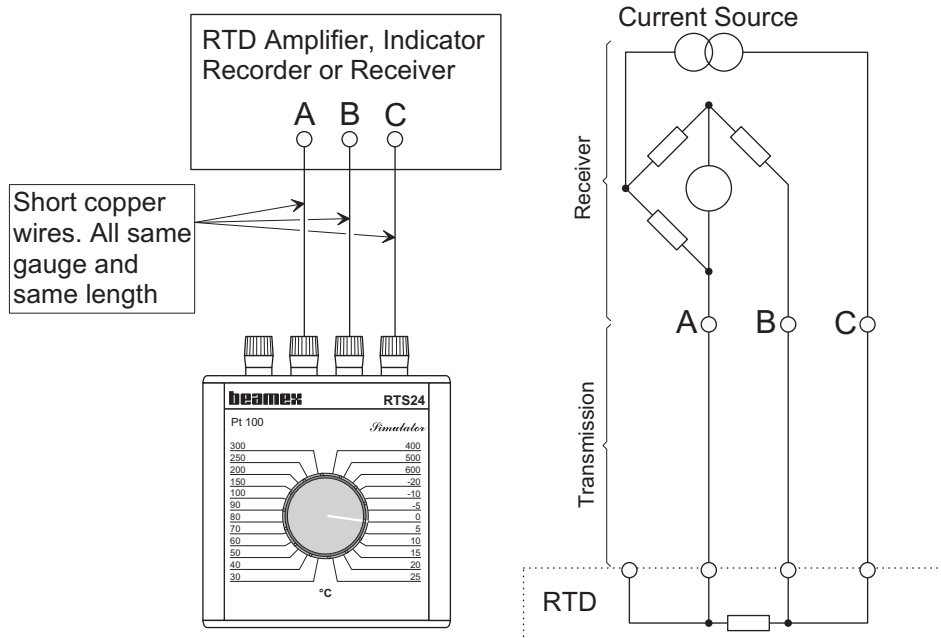
CALIBRATION OF 4-WIRE RTD RECEIVERS



4-WIRE CURRENT SOURCED CIRCUIT



CALIBRATION OF 3-WIRE RTD RECEIVERS



CALIBRATION OF 2-WIRE RTD RECEIVERS

